

Solo Mech

Hingeless Single Lift-Up Door Mechanism

2022.07

*Simply Perfect,
Completely Nature*





Outstanding Design Results In Magical Movement and Pure Silence

Solo-Mech ensures flawless “open and close” movement with innovative “hinge-less” technology.



MOCHA



ANTHRACITE



GRAY



WHITE

Provides great color alternatives with Anthracite, Mocha, Gray and White color options.

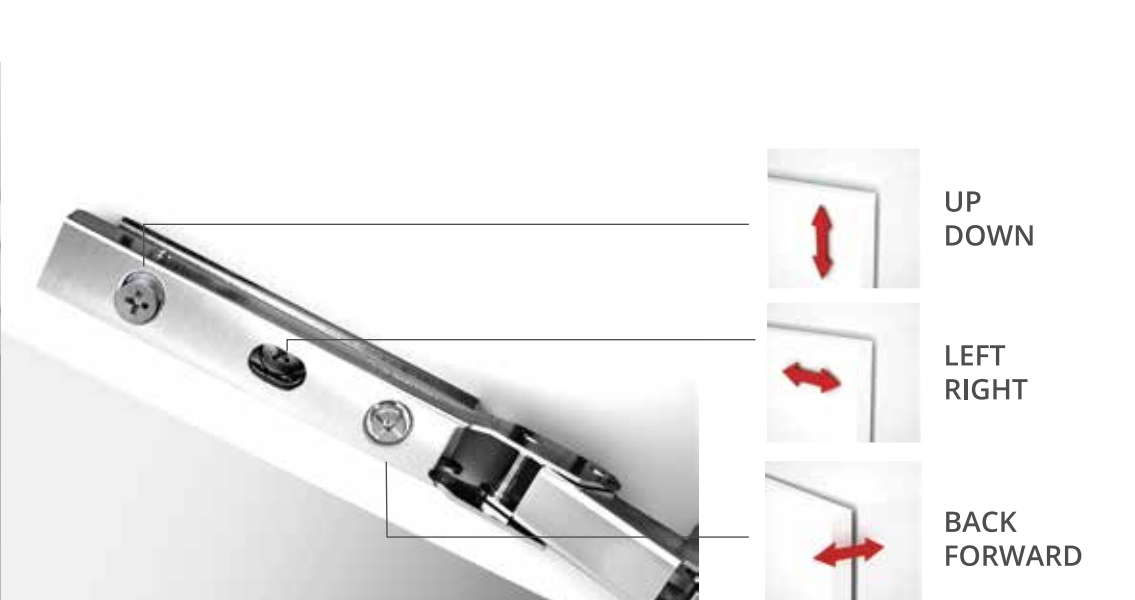


**Soft and silent movement
features provide maximum
comfort.**

With its gradual-open mechanism,
cabinet doors can be stopped at a
desired level.

“Fully mechanical”
lifting structure provides
lifetime stability.

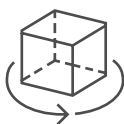




UP
DOWN

LEFT
RIGHT

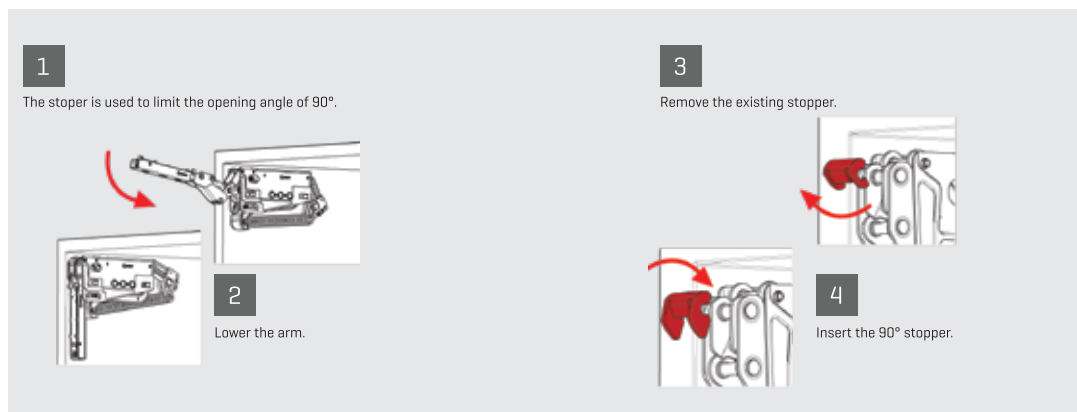
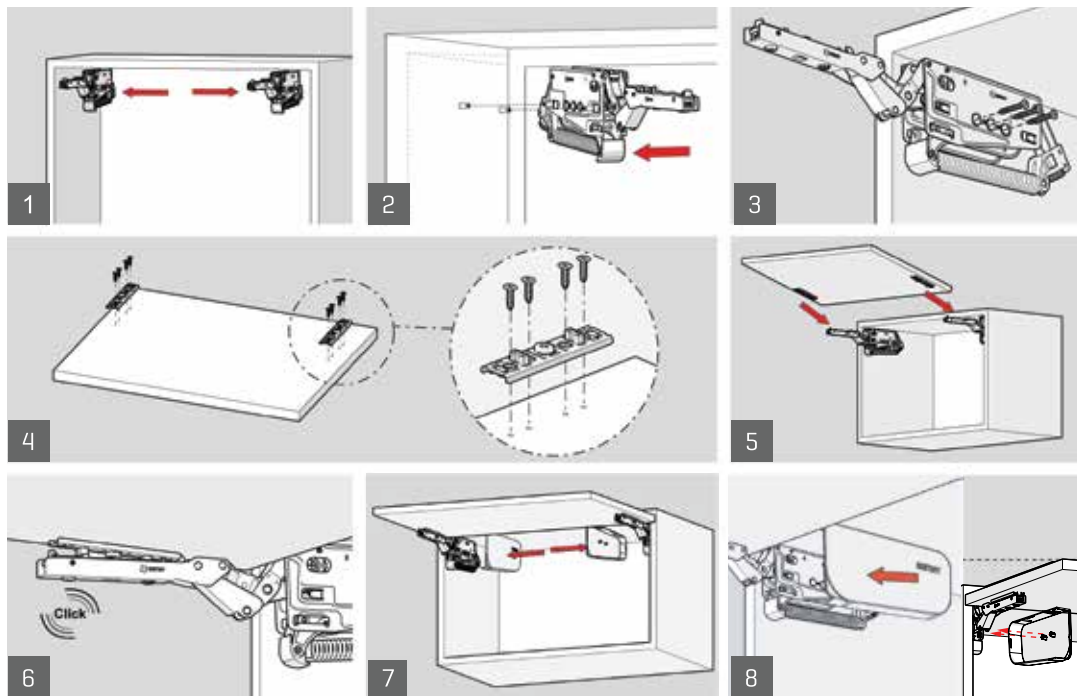
BACK
FORWARD

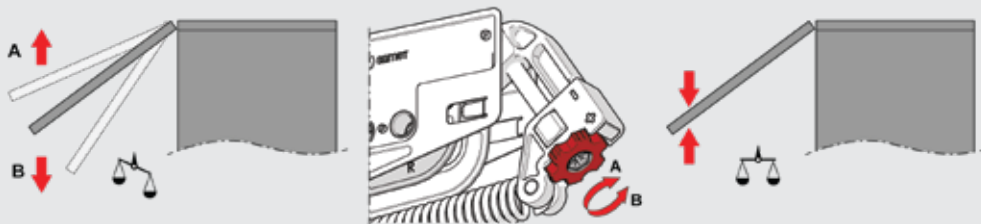


3D Adjustment

Solo-Mech's three dimensional alignment mechanism enables flawless installation.



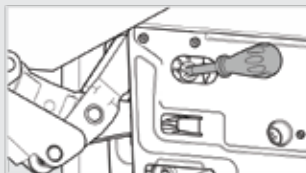
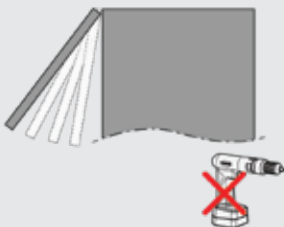




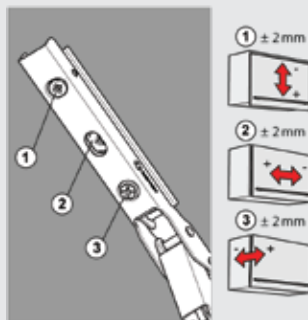
If, when the door is released, it rises instead of remaining in position, turn in direction "A," and if it descends, turn in direction "B" in order to adjust balance.

If the door closes too fast or too slowly, you can adjust the strength of the soft closing mechanism by adjusting from the specified position.

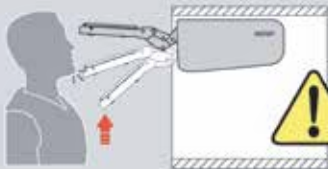
Low braking at setting 1, High braking at setting 4.



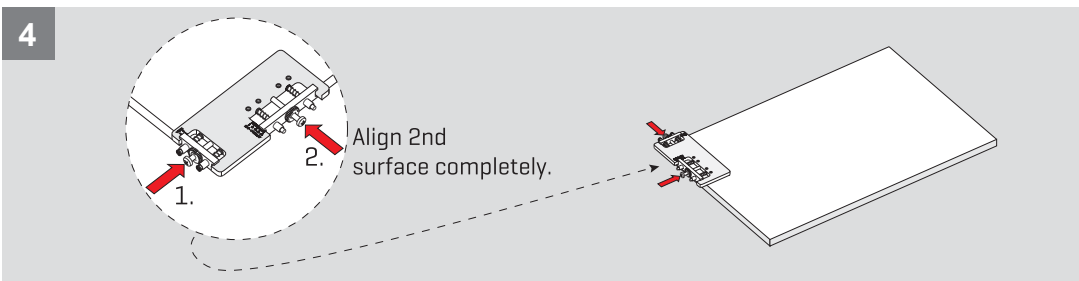
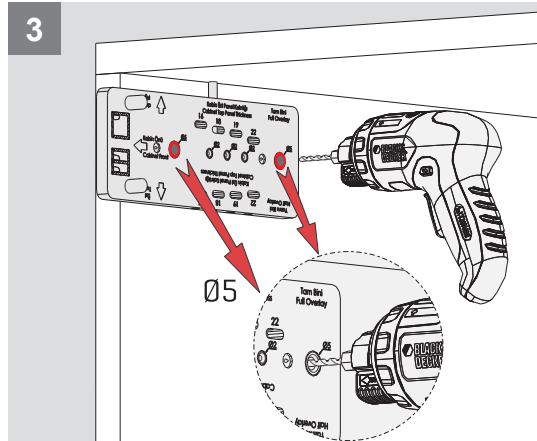
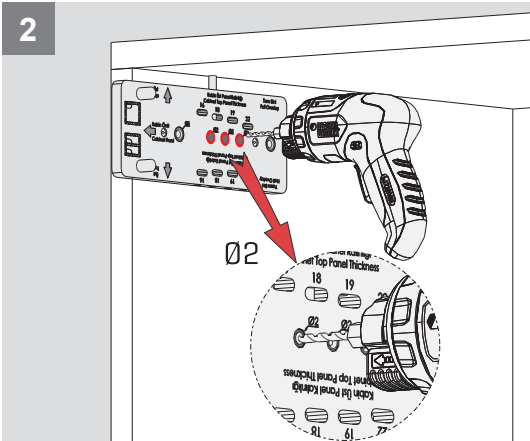
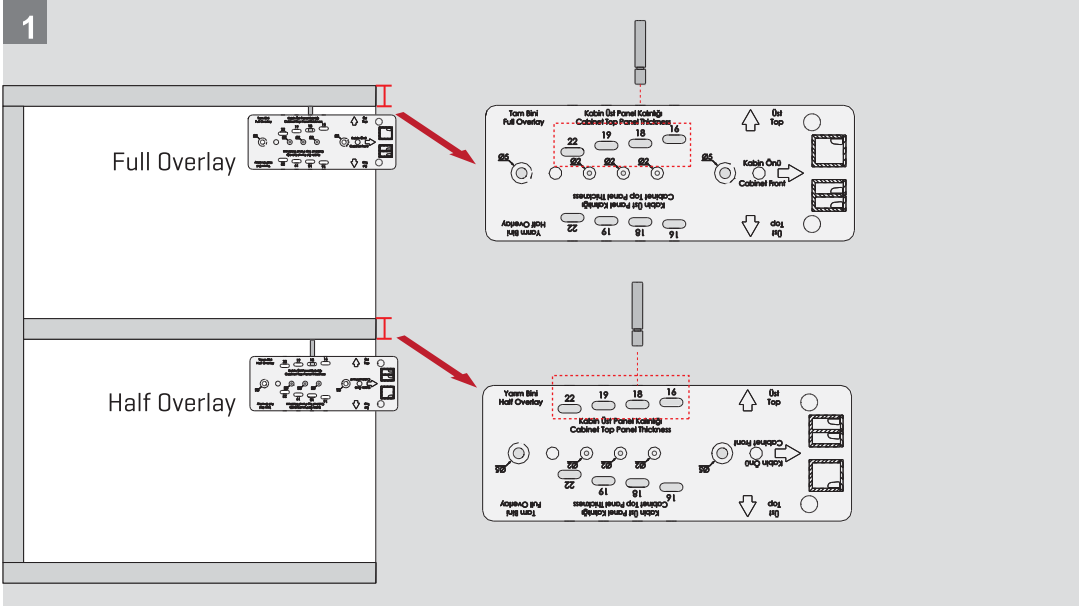
Important: Do not force the adjustment mechanism beyond the end point.



SAFETY INFORMATION

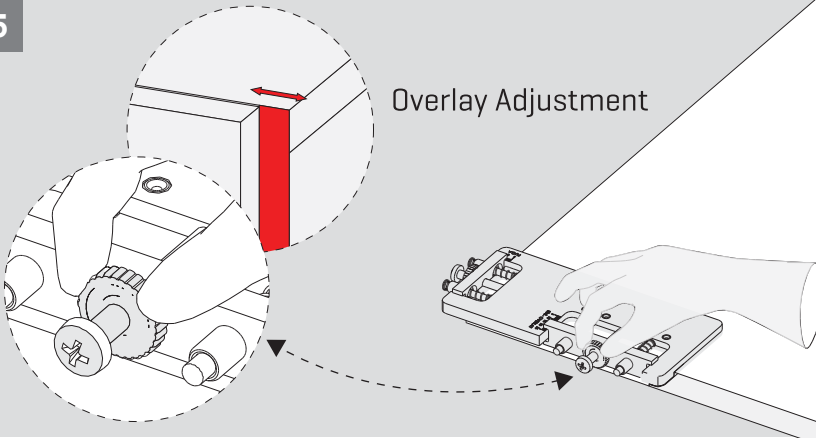


Caution:
Lever arm can spring up and cause injury.



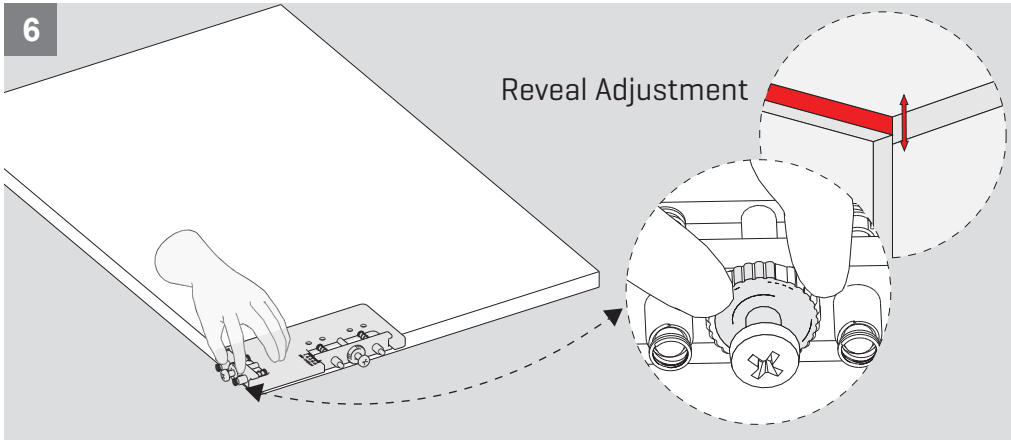
5

Overlay Adjustment

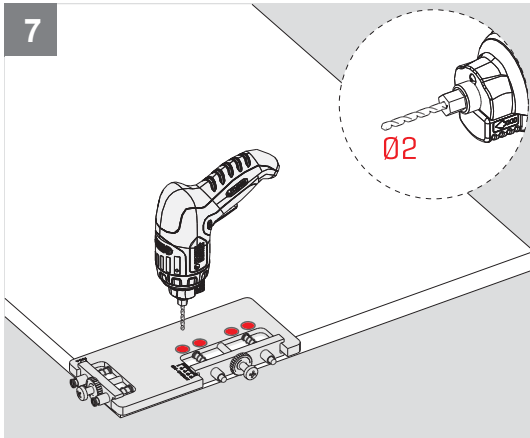


6

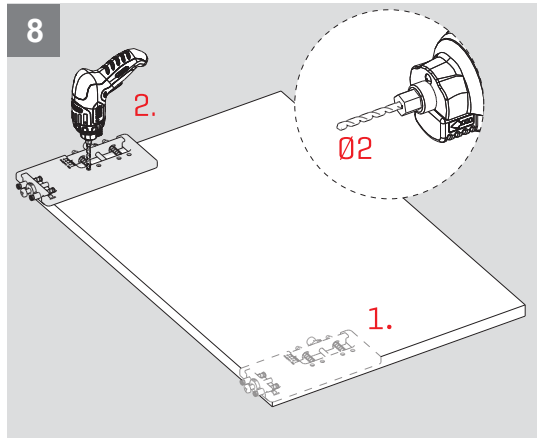
Reveal Adjustment

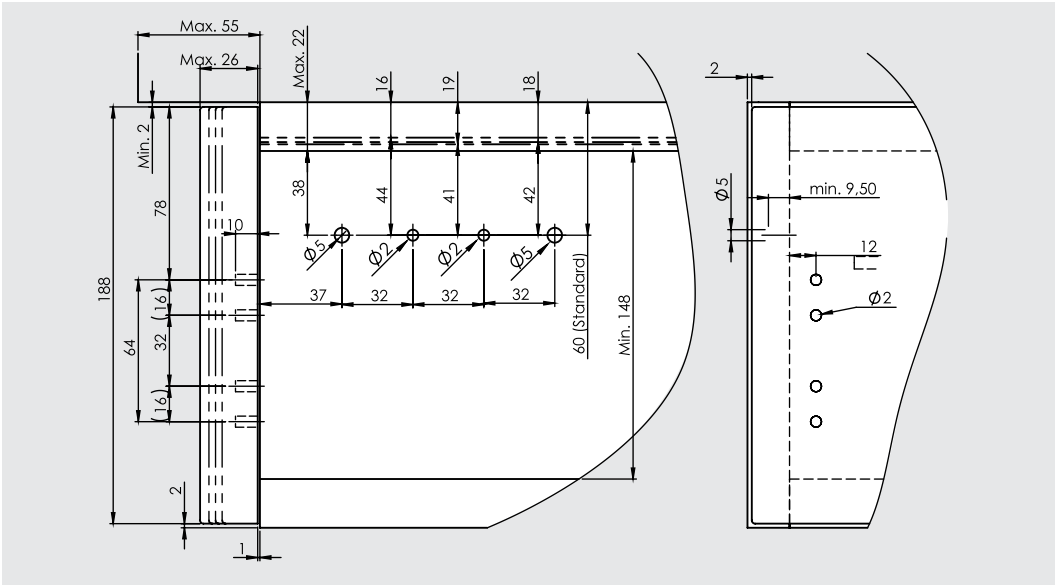


7



8





DOOR HEIGHT	POWER UNIT	A1		B1		C1	
		min. lb [kg]	max. lb [kg]	min. lb [kg]	max. lb [kg]	min. lb [kg]	max. lb [kg]
7-7/8" [200 mm]		7.9 lb [3,6 kg]	14.3 lb [6,5 kg]	11 lb [5 kg]	21.4 lb [9,7 kg]	15,4 lb [7 kg]	32,4 lb [14,7 kg]
7-29/32" - 9-27/32" [201-250 mm]		7.5 lb [3,4 kg]	11.7 lb [5,3 kg]	8.8 lb [4 kg]	16.5 lb [7,5 kg]	12,1 lb [5,5 kg]	26,9 lb [12,2 kg]
9-7/8" - 11-13/16" [251-300 mm]		4.2 lb [1,9 kg]	10.8 lb [4,9 kg]	6.6 lb [3 kg]	13 lb [5,9 kg]	9,9 lb [4,5 kg]	21,8 lb [9,9 kg]
11-27/32" - 13-25/32" [301-350 mm]		3.5 lb [1,6 kg]	7.9 lb [3,6 kg]	6.2 lb [2,8 kg]	11 lb [5 kg]	8,8 lb [4 kg]	17,4 lb [7,9 kg]
13-13/16" - 15-3/4" [351-400 mm]		3.1 lb [1,4 kg]	6.8 lb [3,1 kg]	5.3 lb [2,4 kg]	9.3 lb [4,2 kg]	7,9 lb [3,6 kg]	15,9 lb [7,2 kg]
15-25/32" - 17-23/32" [401-450 mm]		2.9 lb [1,3 kg]	6.2 lb [2,8 kg]	4.9 lb [2,2 kg]	8.4 lb [3,8 kg]	7,1 lb [3,2 kg]	13,9 lb [6,3 kg]
17-3/4" - 19-11/16" [451-500 mm]		2.6 lb [1,2 kg]	5.5 lb [2,5 kg]	4.4 lb [2 kg]	7.5 lb [3,4 kg]	6,2 lb [2,8 kg]	12,1 lb [5,5 kg]
19-23/32" - 21-21/32" [501-550 mm]		2.2 lb [1 kg]	4.9 lb [2,2 kg]	3.9 lb [1,75 kg]	6.6 lb [3 kg]	5,7 lb [2,6 kg]	11,2 lb [5,1 kg]
21-11/16" - 23-8/5" [551-600 mm]		2.09 lb [0,95 kg]	4.4 lb [2 kg]	3.7 lb [1,7 kg]	6.2 lb [2,8 kg]	5,5 lb [2,5 kg]	10,1 lb [4,6 kg]

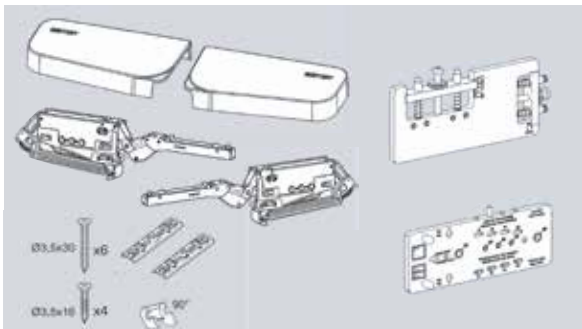
More powerful mechanism is recommended for intersection areas.

Solo-Mech Wholesale Package

ITEM	DESCRIPTION	PACKAGE	QUANTITY
KVSL A WH	Solo-Mech A1 White	Retail	1 Set
KVSL A GR	Solo-Mech A1 Grey	Retail	1 Set
KVSL A MC	Solo-Mech A1 Mocha	Retail	1 Set
KVSL A AN	Solo-Mech A1 Anthracite	Retail	1 Set
KVSL B WH	Solo-Mech B1 White	Retail	1 Set
KVSL B GR	Solo-Mech B1 Grey	Retail	1 Set
KVSL B MC	Solo-Mech B1 Mocha	Retail	1 Set
KVSL B AN	Solo-Mech B1 Anthracite	Retail	1 Set
KVSL C WH	Solo-Mech C1 White	Retail	1 Set
KVSL C GR	Solo-Mech C1 Grey	Retail	1 Set
KVSL C MC	Solo-Mech C1 Mocha	Retail	1 Set
KVSL C AN	Solo-Mech C1 Anthracite	Retail	1 Set

TOOLS

PRODUCT ITEM	DESCRIPTION	PACKAGE	QUANTITY
KVSLB DT	Solo-Mech Lift Drilling Template	Wholesale	10 pcs





KNAPE & VOGT®

POWERED BY **samet**™



www.kv.com



Search Knappe and Vogt on
your favorite social media sites