

# invo<sup>plus</sup>

Soft Close Hinge Systems



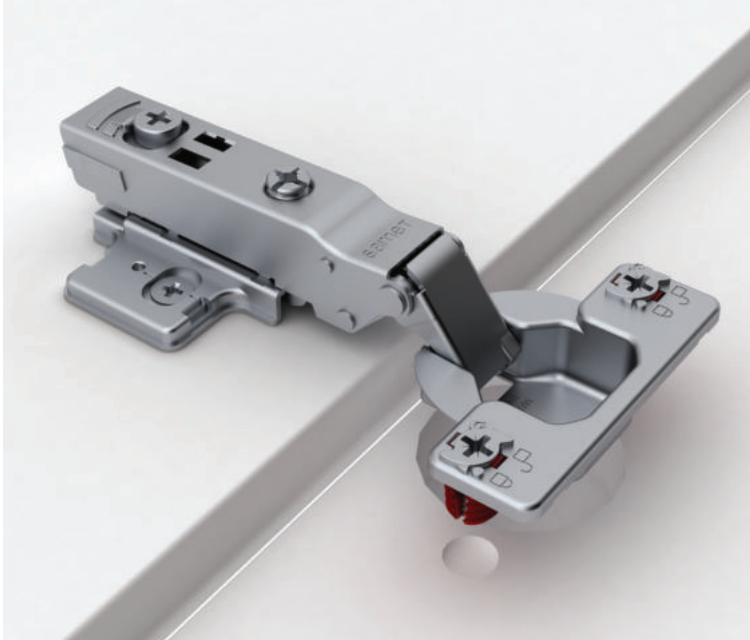
**samet**



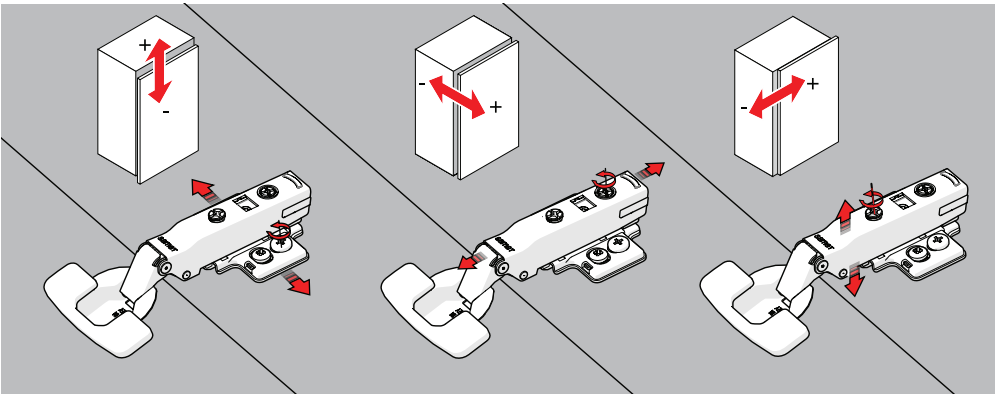
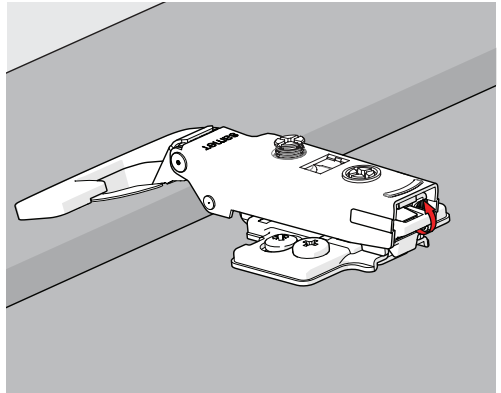
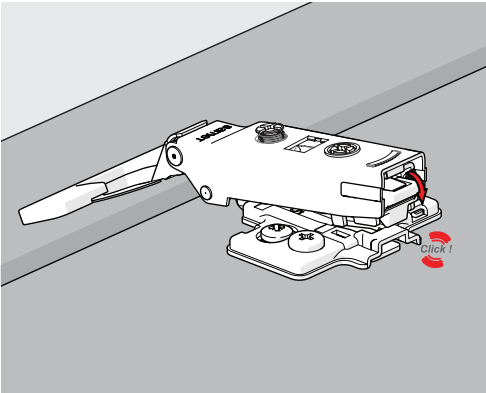
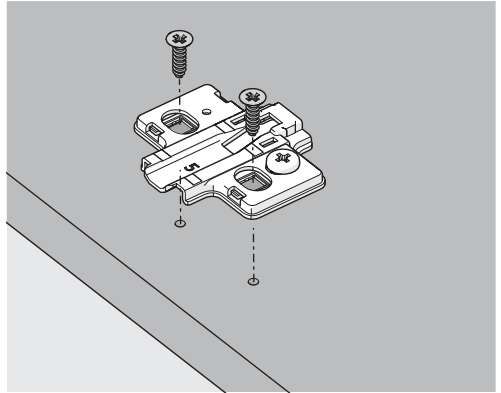
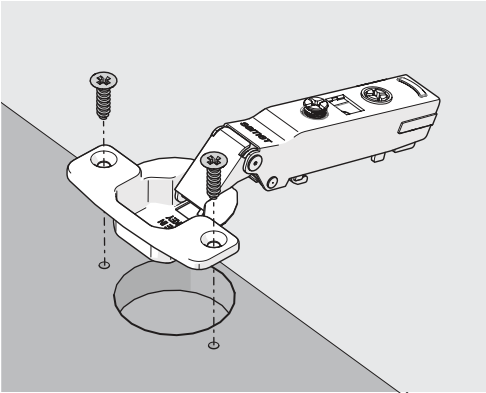
## Soft-Close Feature

Invo Plus Soft-Close Hinge introduces a totally new standard to the world of furniture accessories with a soft closing system, providing silence and smooth closing of furniture doors. Specially developed integrated soft-close mechanism is installed in the hinge body to provide the hinge more stable function. This mechanism provides integrity of the hinge body with its aesthetic look.

# EasyFit





Hinge cups which ensure a strong fix with just a quarter-turn make for convenient installation. EasyFit Hinge Systems can be assembled effortlessly without even using an electric screwdriver, just by givingg them a quarter turn.



Soft-Close		Crank 0	
DEFINITION		CODE	
45 Axis		10100511	
45 Axis Ø8 Dowel		101005111	
45 Axis Ø10 Dowel		101005112	
45 Axis Euro Screw		101005113	
45 Axis Easy Fit		101005117	
48 Axis		10100512	
48 Axis Ø8 Dowel		101005121	
48 Axis Ø10 Dowel		101005122	
48 Axis Euro Screw		101005123	
48 Axis Easy Fit		101005127	
52 Axis		10100513	
52 Axis Ø8 Dowel		101005131	
52 Axis Ø10 Dowel		101005132	
52 Axis Euro Screw		101005133	
52 Axis Easy Fit		101005137	

Screw Options	
Ø3,5x16 mm Chipboard Screw	
Euro Screw	
Ø8-10 mm Plastic Dowel	
Easy Fit	

		Crank 0	
DEFINITION		CODE	
45 Axis		10101511	
45 Axis Ø8 Dowel		101015111	
45 Axis Ø10 Dowel		101015112	
45 Axis Euro Screw		101015113	
45 Axis Easy Fit		101015117	
48 Axis		10101512	
48 Axis Ø8 Dowel		101015121	
48 Axis Ø10 Dowel		101015122	
48 Axis Euro Screw		101015123	
48 Axis Easy Fit		101015127	
52 Axis		10101513	
52 Axis Ø8 Dowel		101015131	
52 Axis Ø10 Dowel		101015132	
52 Axis Euro Screw		101015133	
52 Axis Easy Fit		101015137	

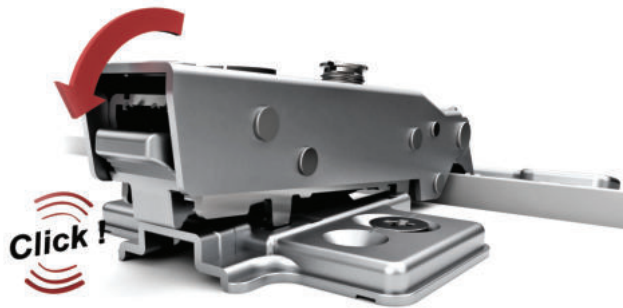
Hinge Cup Mounting Holes	
Ø2,5x5 mm	
Ø5x12 mm	
[Ø8-10]x12 mm	
Ø10x12 mm	

## Track Adjustable Mounting Plate

5 mm		7 mm		9 mm	
DEFINITION	CODE	DEFINITION	CODE	DEFINITION	CODE
Invo Track Mounting Plate	10263851	Invo Track Mounting Plate	10263871	Invo Track Mounting Plate	10263891
Invo Track Mounting Plate Ø8 Dowel	10263852	Invo Track Mounting Plate Ø8 Dowel	10263872	Invo Track Mounting Plate Ø8 Dowel	10263892
Invo Track Mounting Plate Ø10 Dowel	10263853	Invo Track Mounting Plate Ø10 Dowel	10263873	Invo Track Mounting Plate Ø10 Dowel	10263893
Invo Track Mounting Plate 6,3x10 Euro Screw	10263855	Invo Track Mounting Plate 6,3x10 Euro Screw	10263875	Invo Track Mounting Plate 6,3x10 Euro Screw	10263895
Invo Track Mounting Plate 6,3x12 Euro Screw	10263858	Invo Track Mounting Plate 6,3x12 Euro Screw	10263878	Invo Track Mounting Plate 6,3x12 Euro Screw	10263898
Invo Track Mounting Plate 6,3x14 Euro Screw	10263854	Invo Track Mounting Plate 6,3x14 Euro Screw	10263874	Invo Track Mounting Plate 6,3x14 Euro Screw	10263894
Invo Track Mounting Plate Ø5x11,5 Dowel	10263857	Invo Track Mounting Plate Ø5x11,5 Dowel	10263877	Invo Track Mounting Plate Ø5x11,5 Dowel	10263897

## Track Mounting Plate - 4 Holes

5 mm		7 mm		9 mm	
DEFINITION	CODE	DEFINITION	CODE	DEFINITION	CODE
Invo Track Mounting Plate	10265841	Invo Track Mounting Plate	10265861	Invo Track Mounting Plate	10265881
Invo Track Mounting Plate Ø8 Dowel	10265842	Invo Track Mounting Plate Ø8 Dowel	10265862	Invo Track Mounting Plate Ø8 Dowel	10265882
Invo Track Mounting Plate Ø10 Dowel	10265843	Invo Track Mounting Plate Ø10 Dowel	10265863	Invo Track Mounting Plate Ø10 Dowel	10265883
Invo Track Mounting Plate 6,3x10 Euro Screw	10265845	Invo Track Mounting Plate 6,3x10 Euro Screw	10265865	Invo Track Mounting Plate 6,3x10 Euro Screw	10265885
Invo Track Mounting Plate 6,3x12 Euro Screw	10265848	Invo Track Mounting Plate 6,3x12 Euro Screw	10265868	Invo Track Mounting Plate 6,3x12 Euro Screw	10265888
Invo Track Mounting Plate 6,3x14 Euro Screw	10265844	Invo Track Mounting Plate 6,3x14 Euro Screw	10265864	Invo Track Mounting Plate 6,3x14 Euro Screw	10265884
Invo Track Mounting Plate Ø5x11,5 Dowel	10265847	Invo Track Mounting Plate Ø5x11,5 Dowel	10265867	Invo Track Mounting Plate Ø5x11,5 Dowel	10265887







### **Technical Specifications**

- ▶ Opening Angle : 110°
- ▶ Cup Diameter : 35 mm
- ▶ Cup Depth : 12,10 mm
- ▶ Hinge Body : Steel
- ▶ Hinge Cup : Steel
- ▶ Crank Type : 0 mm
- ▶ Finish : Nickel
- ▶ Packaging : 125 Pieces
- ▶ Tool free and simple assembling and disassembling of the cabinet doors.

# samET



[www.samet.com.tr](http://www.samet.com.tr)

-  [facebook.com/SametGroup](https://facebook.com/SametGroup)
-  [twitter.com/SametGroup](https://twitter.com/SametGroup)
-  [linkedin.com: Samet Kalip ve Madeni Eşya San. ve Tic. A.Ş.](https://linkedin.com: Samet Kalip ve Madeni Eşya San. ve Tic. A.Ş.)
-  [youtube.com/sametinternational](https://youtube.com/sametinternational)