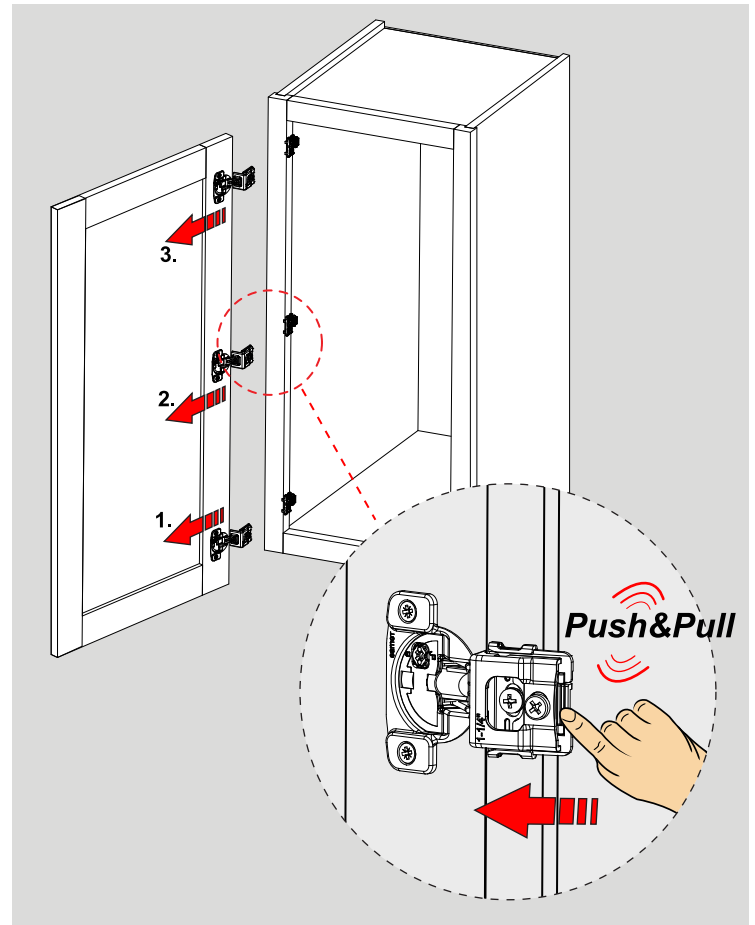
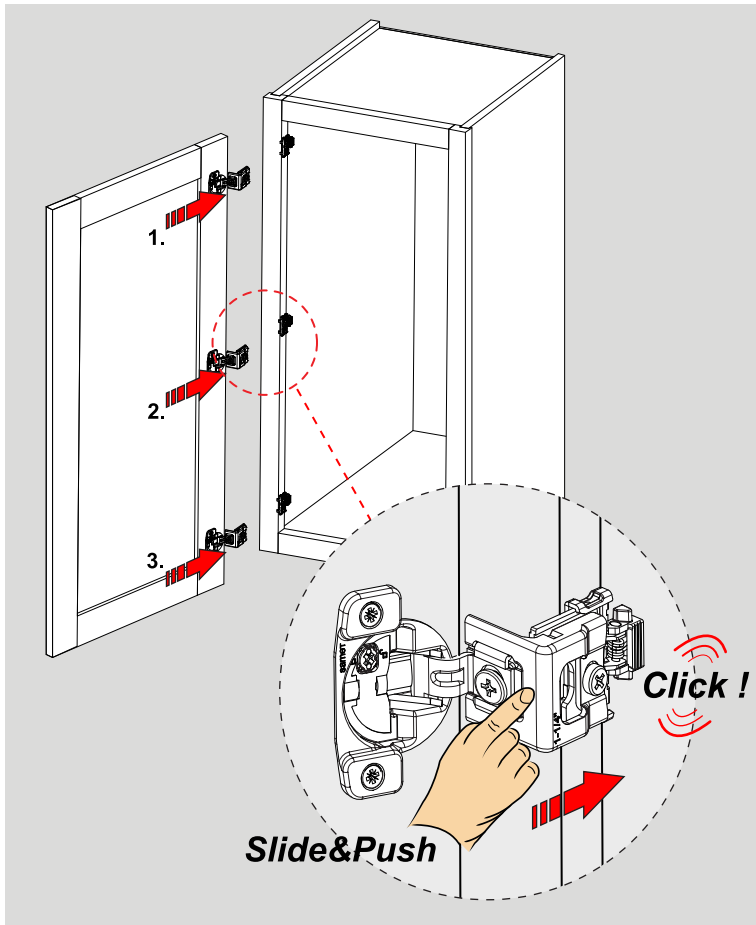
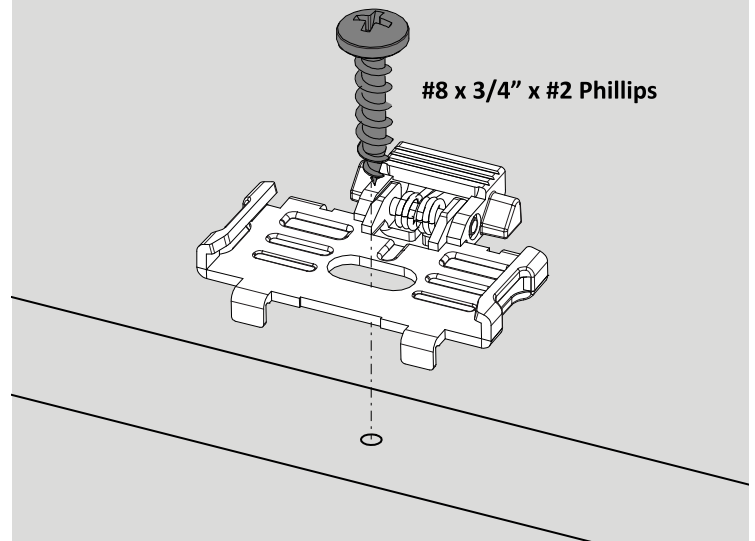
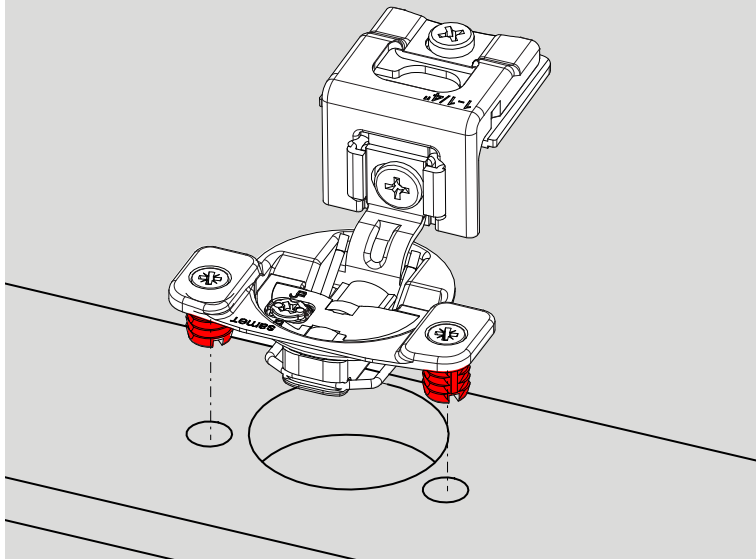
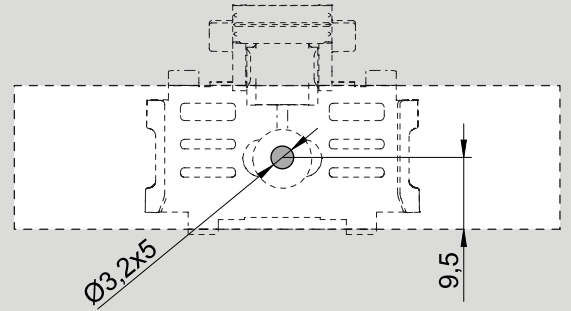
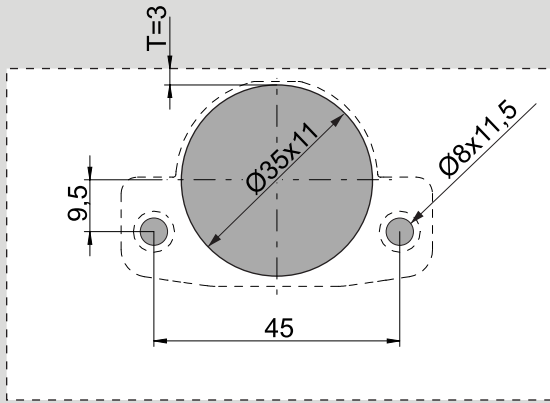
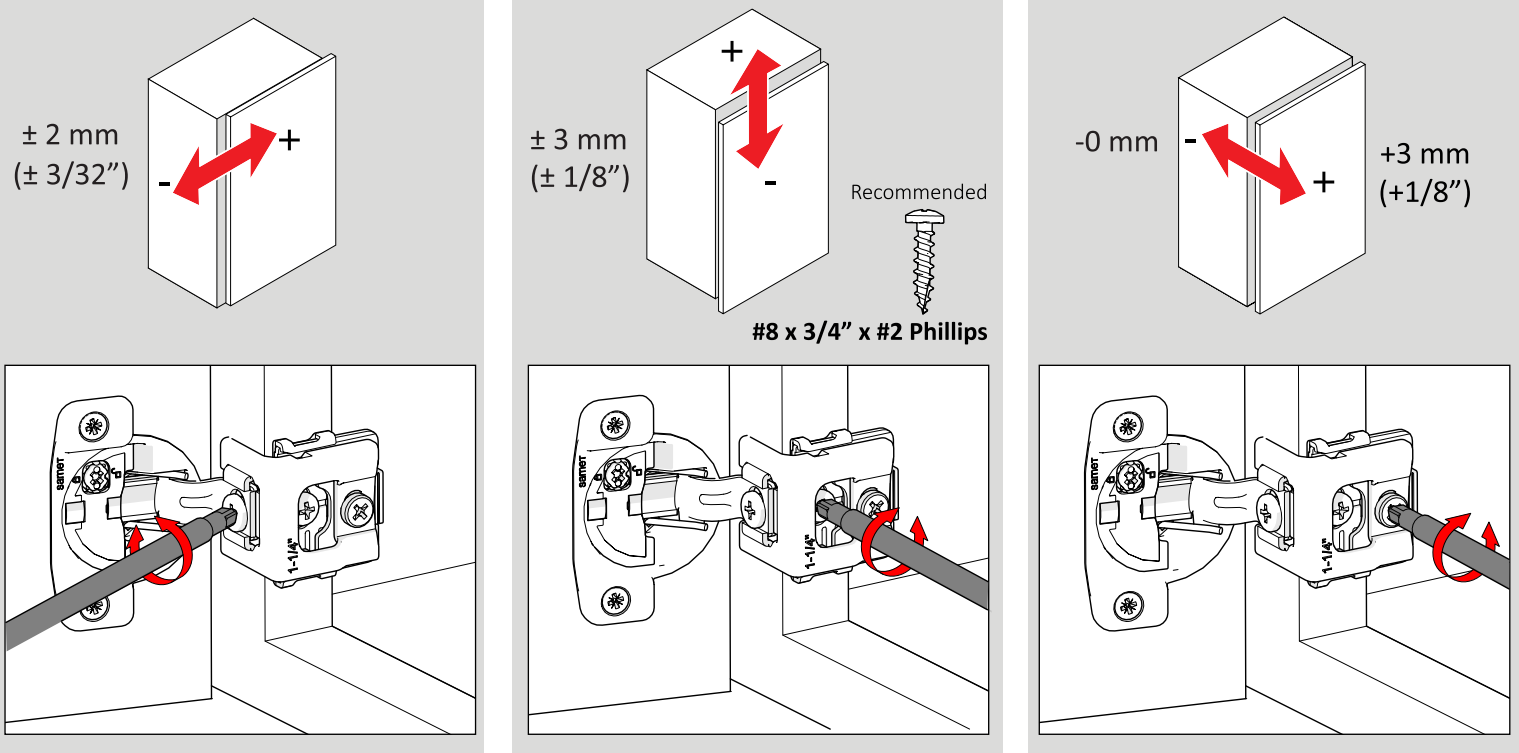


Technical Dimensions & Mounting



**Adjustments**



**Side Adjustment**  
Achievable Through Cam  
Adjustment

**Height Adjustment**  
Loosen Screw, Align Door,  
Tighten Screw

**Depth Adjustment**  
Achievable Through Cam  
Adjustment

