

smart slide full·fit | Power

2022.07

American Drawer Systems



KNAPE & VOGT

POWERED BY **samet**

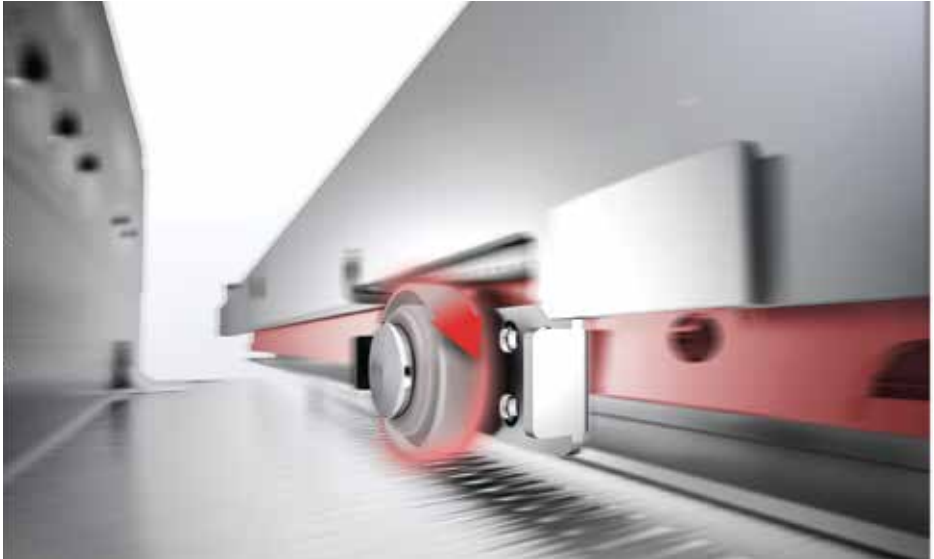
Smart Slide Full Fit Full Extension Undermount Slides

Innovative design meets high expectations. Either you build a kitchen or bathroom, or a dovetail drawer for your wardrobe; Smart Slide Full Fit offers you a wide range of possibilities.

Smart Slide full fit was engineered by SAMET to be unique for both face frame and frameless applications. Thanks to new adaptive soft close technology, drawers can be closed softly with same smooth closing effect even if you change the load inside the drawer. 2D Locking mechanism ensures fast, easy and safety installations. Inspire your designs with more value-added solutions!

Full Extension Soft Close with Adaptive Damping

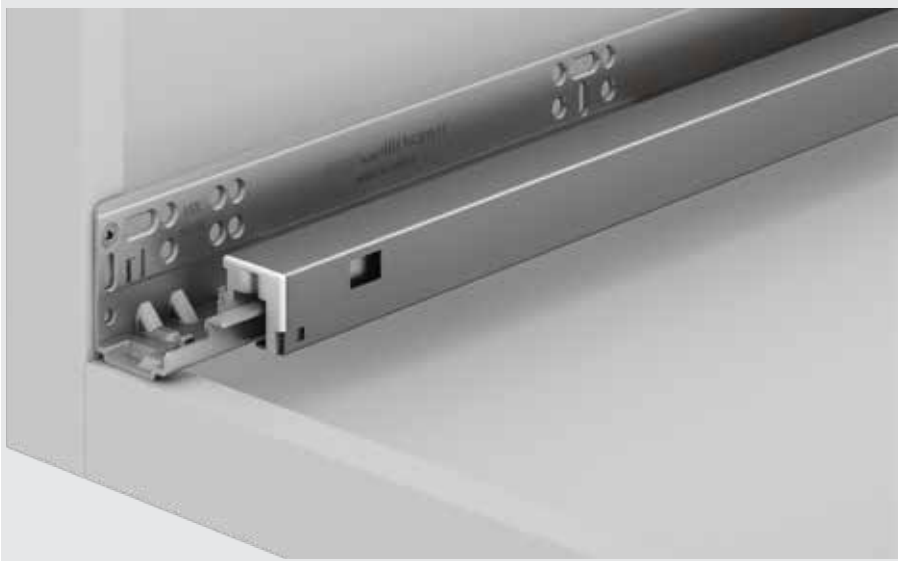




Synchronization for smart motion

Smart Slide Full Fit is engineered to be functional for any drawers. Smart Slide full extension allows you freedom in furniture design such as Day & Night furniture's, bathroom cabinet and also kitchen applications.

Due to special production method with low tolerances, Smart Slide Full Fit operates smooth and effortlessly all the time. Nonstop Synchronization, provided by silicone wheel, ensures smooth and silent running action with lifetime durability.



Long-lasting performance

Compatible with wide drawer size alternatives within a range of 9" to 21" lengths, this range provides various options for furniture and cabinet production.

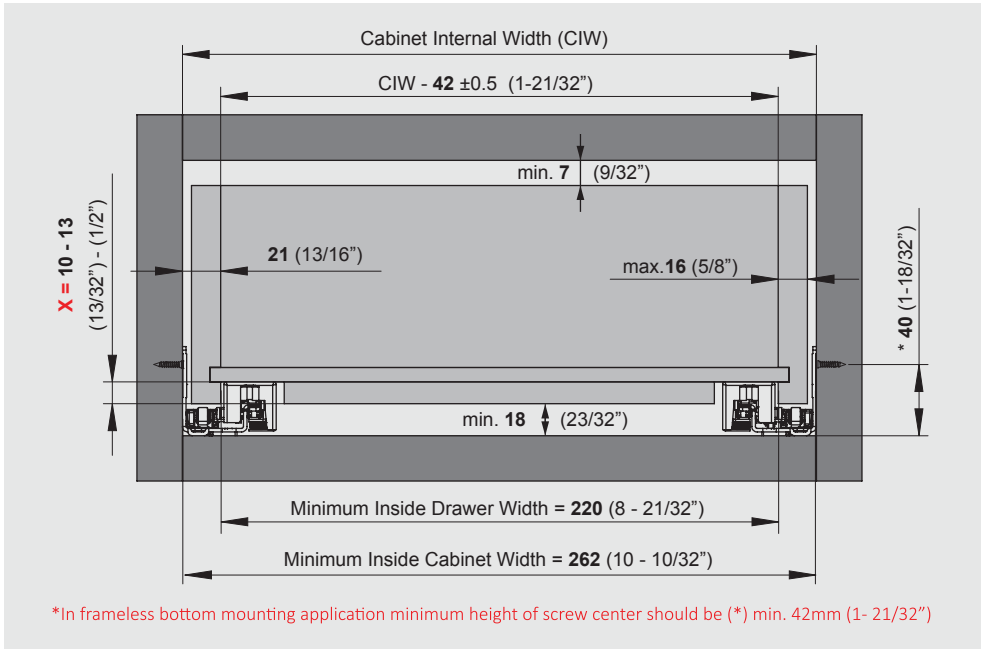
Smart Slide Full Fit brings innovative and high-end solutions together with its superior performance.

Lock-Fix Mechanism

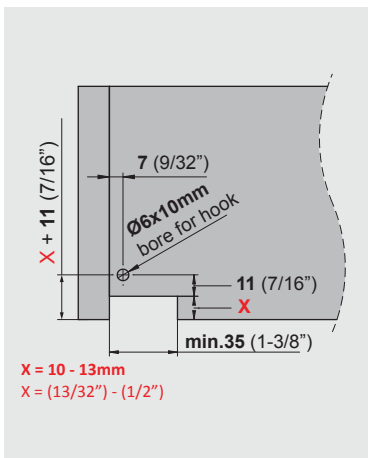
Lock-Fix mechanism was especially designed for the quick and flexible installation process of Smart Slide Full Fit Drawer System. The possibility to lock as tight as desired ensures optimal safety during drawer utilization.



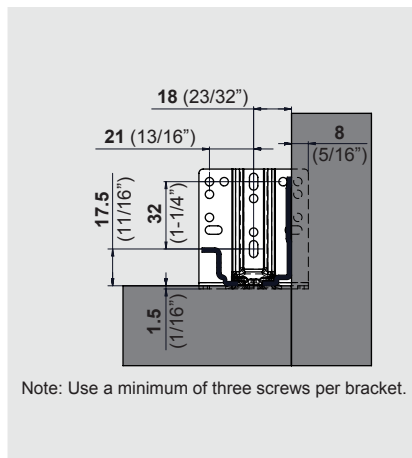
Drawer and Cabinet Dimensions



Drawer Back Preparation

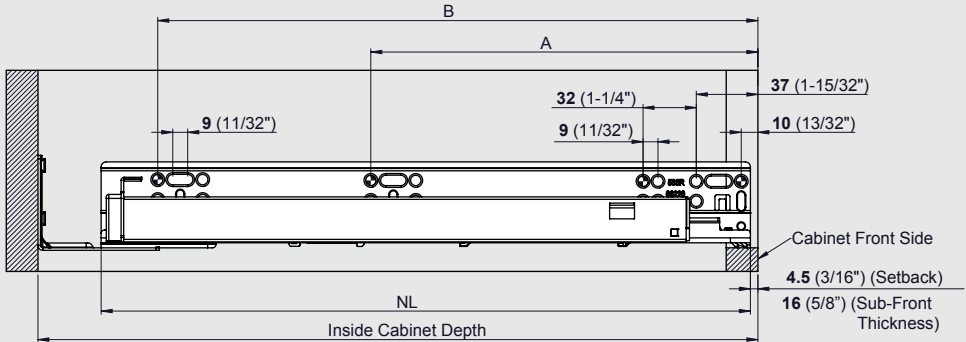


Rear Mounting Bracket



Slide Mounting Specifications

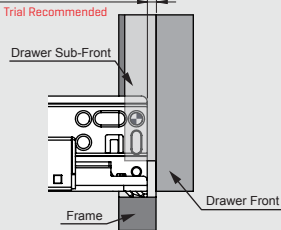
Compatible with metal rear mounting brackets.



Drawer Length	Inside cabinet depth with rear attachment		Slide Length (NL)	Screw locations for frameless cabinets	
	Max	Min		A	B
229 (9")	310 (12-7/32")	270 (10-5/8")	261 (10-9/32")	133 (5-7/32")	229 (9")
305 (12")	368 (14-1/2")	328 (12-29/32")	319 (12-9/16")	165 (6-1/2")	261 (10-9/32")
381 (15")	444 (17-1/2")	404 (15-29/32")	395 (15-9/16")	165 (6-1/2")	357 (14-1/16")
457 (18")	520 (20-1/2")	480 (18-29/32")	471 (18-17/32")	261 (10-9/32")	453 (17-27/32")
533 (21")	597 (23-1/2")	557 (21-15/16")	548 (21-9/16")	261 (10-9/32")	517 (20-3/8")

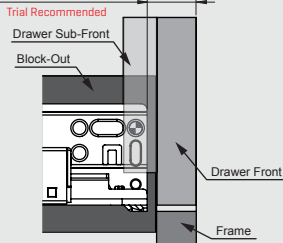
Setback Table for Standard & Inset Drawer Application

Runner Setback for Standard Drawer (See Standard Drawer Table)

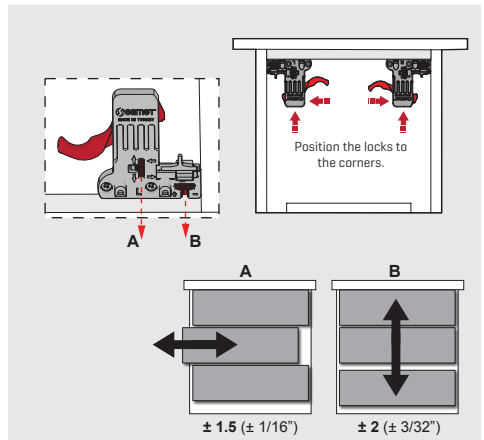
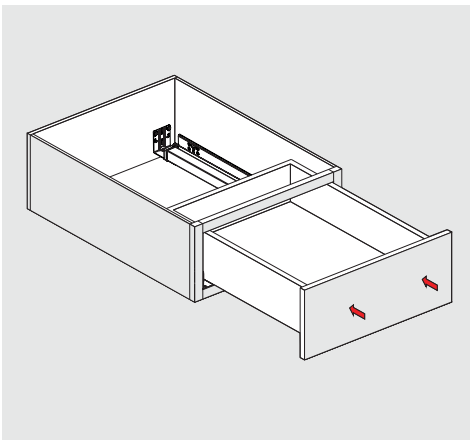
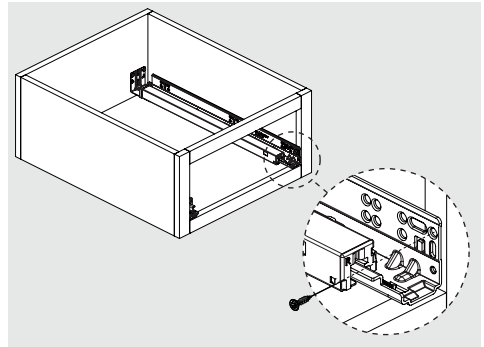
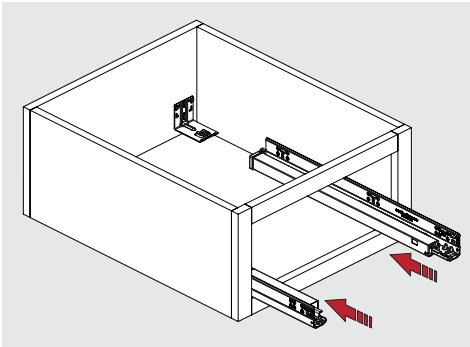
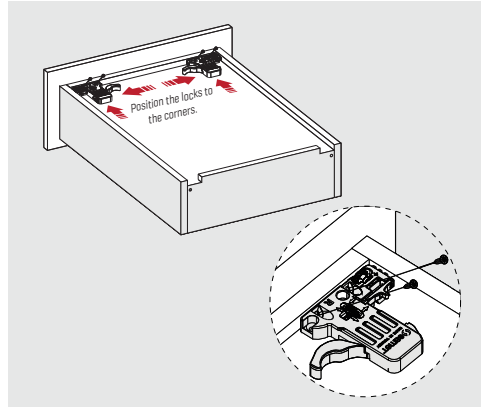
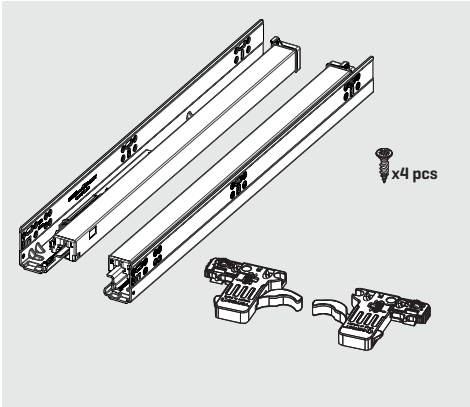


Runner Setback (Standard Drawer)		Setback
Sub-Front Thickness	13 (1/2")	1.5 (1/16")
	16 (5/8")	4.5 (3/16")
	19 (3/4")	7.5 (5/16")

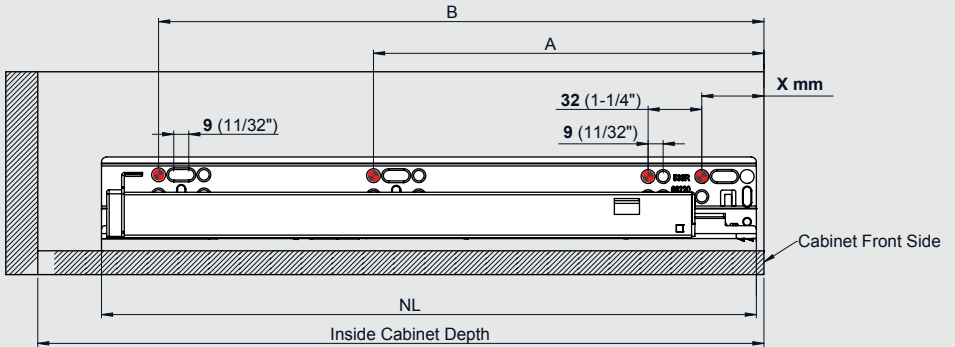
Runner Setback for Inset Drawer (See Inset Drawer Table)



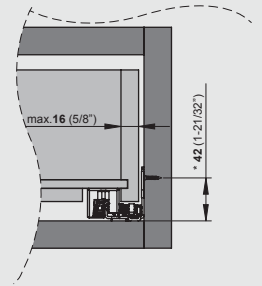
Runner Setback (Inset Drawer)		Setback		
Sub-Front Thickness	13 (1/2")	17.5 (11/16")	20.5 (13/16")	23.5 (15/16")
	16 (5/8")	20.5 (13/16")	23.5 (15/16")	26.5 (1-1/32")
	19 (3/4")	23.5 (15/16")	26.5 (1-1/32")	29.5 (1-5/32")
		16 (5/8")	19 (3/4")	22 (7/8")
Drawer Front Thickness				



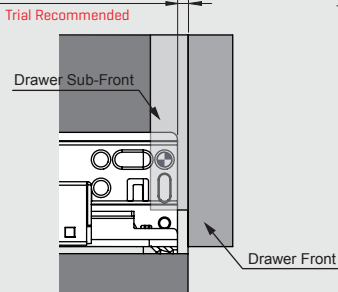
Slide Mounting Specifications



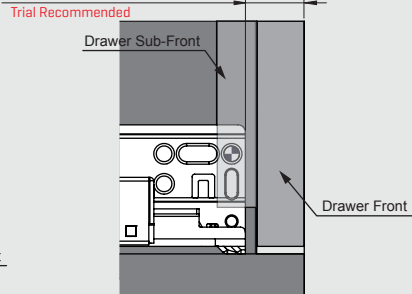
Drawer Length	Minimum Inside Cabinet Depth	Slide Length (NL)	Screw locations for frameless cabinets	
			A	B
229 (9")	270 (10-5/8")	261 (10-9/32")	133 (5-7/32")	229 (9")
305 (12")	328 (12-29/32")	319 (12-9/16")	165 (6-1/2")	261 (10-9/32")
381 (15")	404 (15-29/32")	395 (15-9/16")	165 (6-1/2")	357 (14-1/16")
457 (18")	480 (18-29/32")	471 (18-17/32")	261 (10-9/32")	453 (17-27/32")
533 (21")	557 (21-15/16")	548 (21-9/16")	261 (10-9/32")	517 (20-3/8")



Runner Setback for Standard Drawer (See Standard Drawer Table)

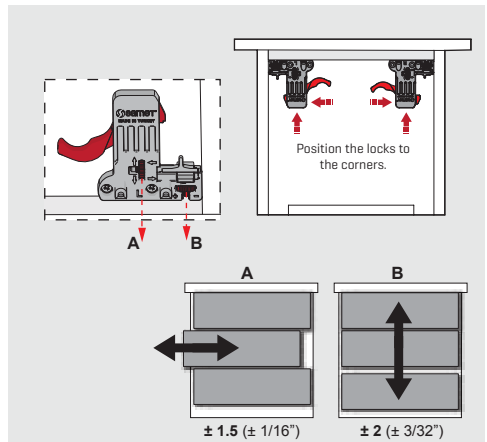
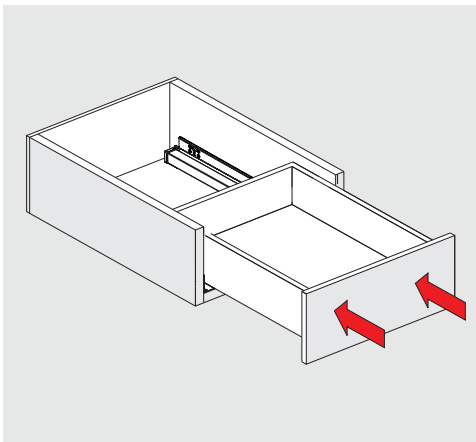
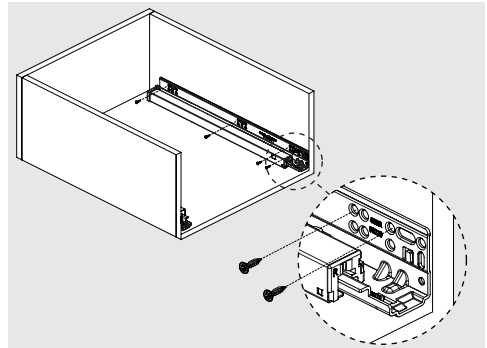
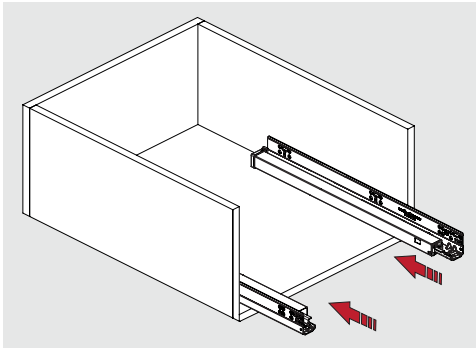
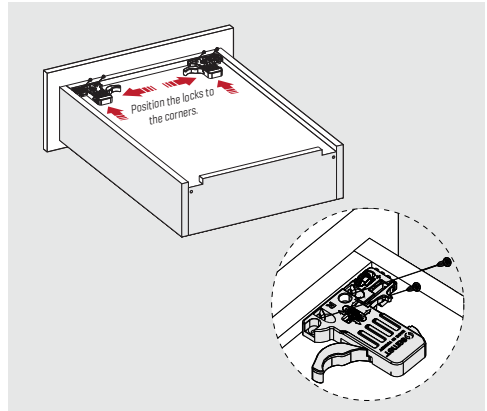
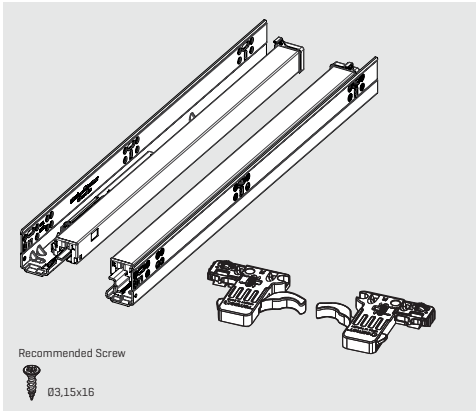


Runner Setback for Inset Drawer (See Inset Drawer Table)



Standard Drawer		X [Drilling Position]
Sub-Front Thickness	13 (1/2")	34 (1-11/32")
	16 (5/8")	37 (1-15/32")
	19 (3/4")	40 (1-18/32")

Inset Drawer		X [Drilling Position]		
Sub-Front Thickness	13 (1/2")	50 (1-31/32")	53 (2-3/32")	56 (2-7/32")
	16 (5/8")	53 (2-3/32")	56 (2-7/32")	59 (2-10/32")
	19 (3/4")	56 (2-7/32")	59 (2-10/32")	62 (2-14/32")
		16 (5/8")	19 (3/4")	22 (7/8")
Drawer Front Thickness				



Smart Slide Full Fit Power

ITEM	DESCRIPTION	PACKAGE	QUANTITY
KVSUMB 900 9	Smart Slide Full Fit Power Soft Close Undermount Slide 229 mm 9"	Wholesale	6 Sets
KVSUMB 901 12	Smart Slide Full Fit Power Soft Close Undermount Slide 305 mm 12"	Wholesale	6 Sets
KVSUMB 902 15	Smart Slide Full Fit Power Soft Close Undermount Slide 381 mm 15"	Wholesale	6 Sets
KVSUMB 903 18	Smart Slide Full Fit Power Soft Close Undermount Slide 457 mm 18"	Wholesale	6 Sets
KVSUMB 904 21	Smart Slide Full Fit Power Soft Close Undermount Slide 533 mm 21"	Wholesale	6 Sets

Smart Slide Full Fit Lock

ITEM	DESCRIPTION	PACKAGE	QUANTITY
KVSUMB LR 105	Smart Slide Full Fit Power Smart Lock 2D Right	Wholesale	120 pcs
KVSUMB LL 106	Smart Slide Full Fit Power Smart Lock 2D Left	Wholesale	120 pcs

Smart Slide Full Fit Rear Mount Bracket

ITEM	DESCRIPTION	PACKAGE	QUANTITY
KVSUMB B 102	Smart Slide Full Fit Power Metal Rear Mount Bracket	Wholesale	180 pcs

Smart Slide Full Fit Narrow Lock

ITEM	DESCRIPTION	PACKAGE	QUANTITY
KVSUMB LRN 109	Smart Slide Full Fit Power Smart Narrow Drawer Lock 2d Right	Wholesale	120 pcs
KVSUMB LRN 110	Smart Slide Full Fit Power Smart Narrow Drawer Lock 2d Left	Wholesale	120 pcs





KNAPE & VOGT®

POWERED BY **samet**™



www.kv.com



Search Knape and Vogt on
your favorite social media sites